

Original

Lowline

RX100

RX65

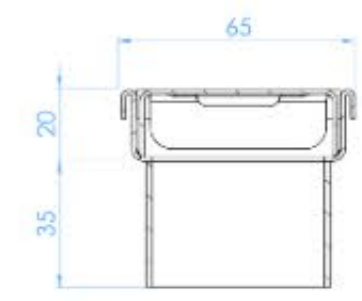
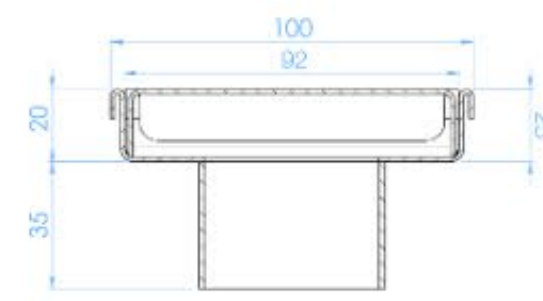
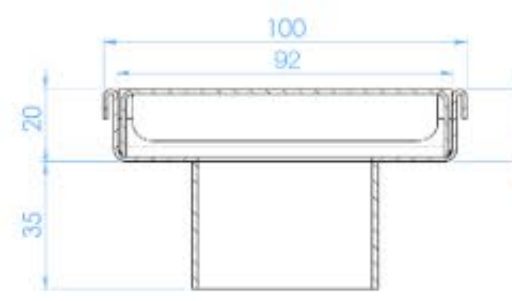
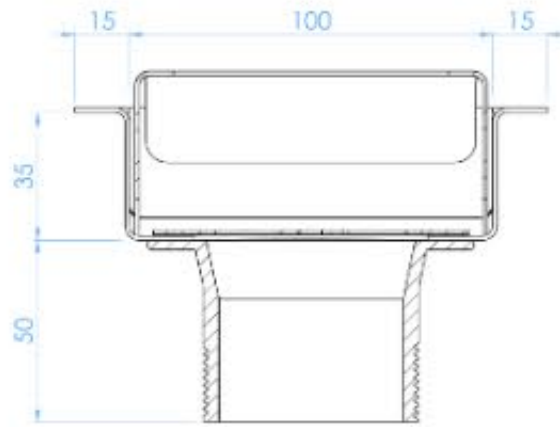
Exclusive to Reece

Exclusive to Reece

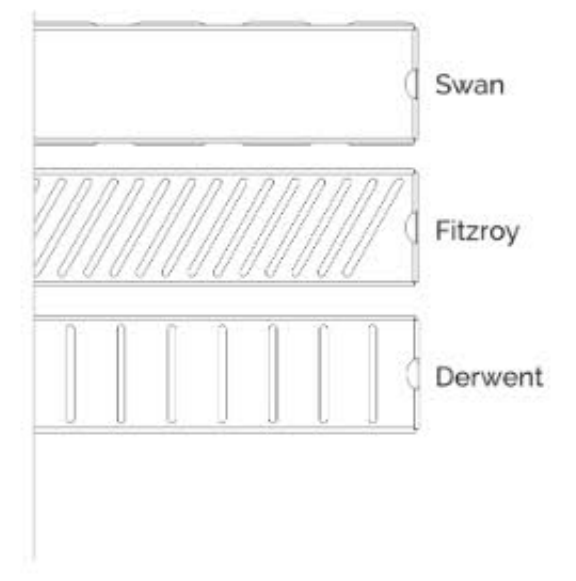
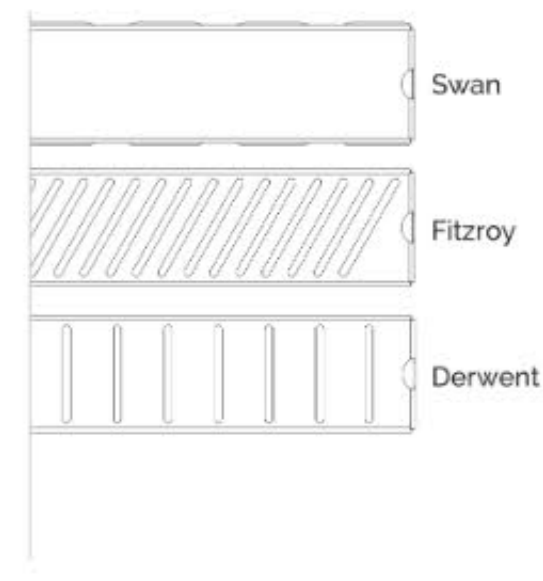
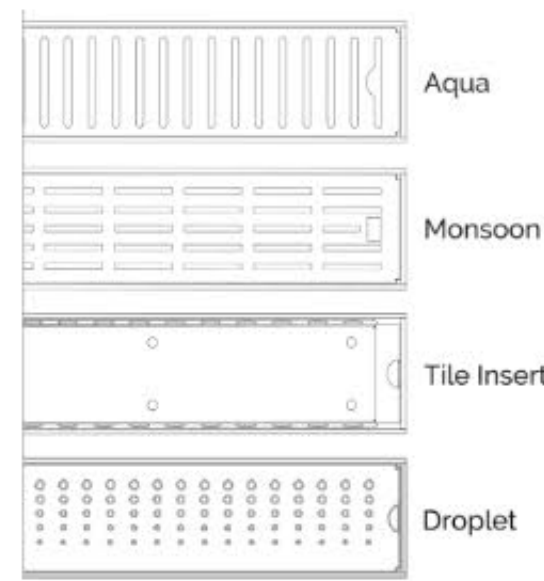
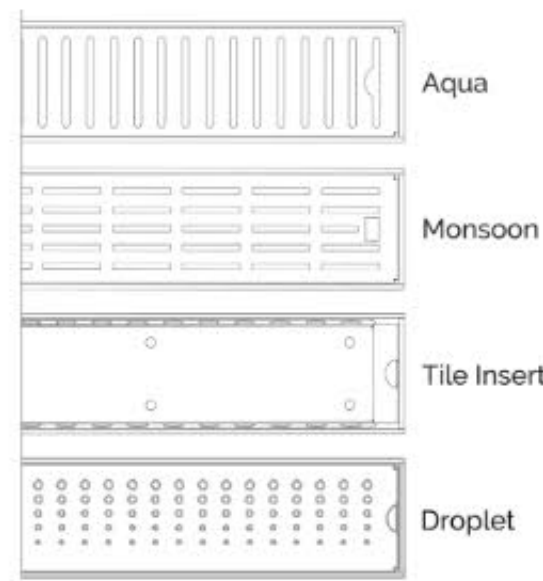
Pick the perfect shower channel for you:



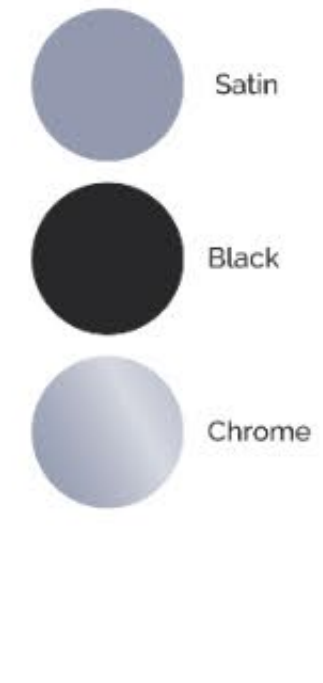
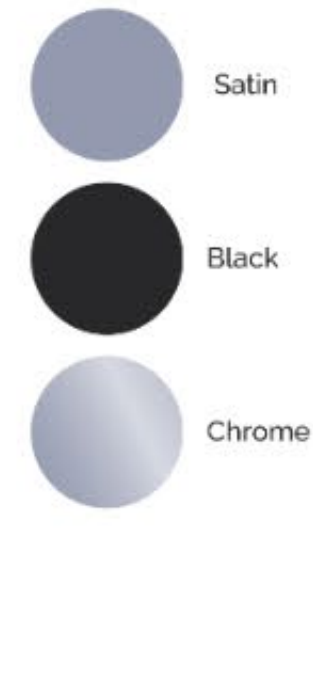
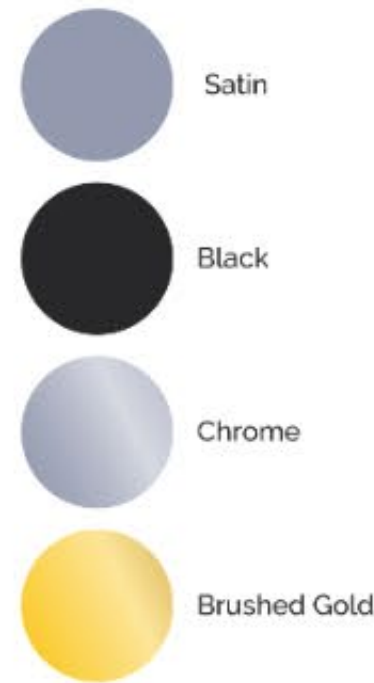
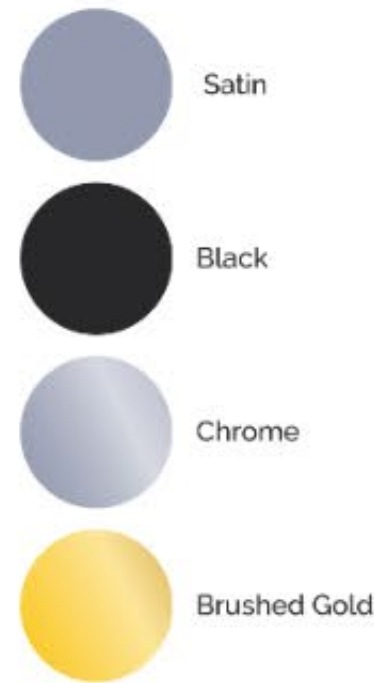
Cross section dimensions:



Choice of grates:



Choice of grate finish:



Built in fall to the waste:



Width:

100mm

100mm

100mm

65mm

Depth:

35mm below the tile

25mm deep from top of tile

20mm

20mm

Standard length:

800 / 900 / 1200 / 1500mm

800 / 900 / 1200 / 1500mm

800 / 900 / 1200 / 1500mm

800 / 900 / 1200 / 1500mm

Waste options:

DN50 pop or 50 BSP pvc

DN50 pop or DN80 pop

DN50 pop or DN80 pop

DN50 pop

Options:

- Custom waste position
- Tiling upstand
- 25mm depth

- Custom waste position
- Tiling upstand

- Custom waste position
- Tiling upstand

- Custom waste position
- Tiling upstand