

Stainless Steel Baby Bath



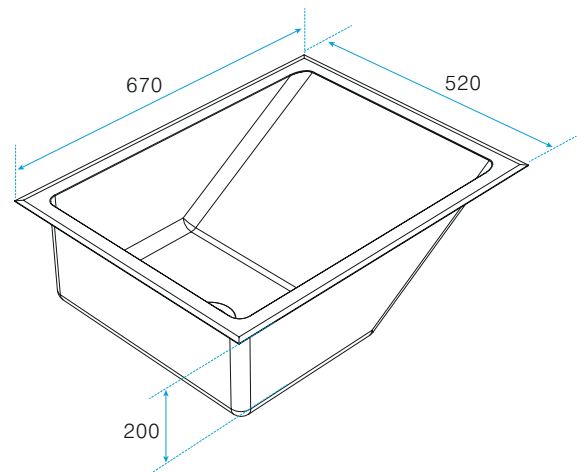
The Veitch stainless steel insert Baby Bath is used in hospitals, recreation centres, caravan parks, shopping centres and other public facilities with parents' rooms.

Upon request, the Baby Bath is also able to be custom integrated into a stainless steel fascia-style bench top with drainer.

Veitch stainless steel Baby Baths are sold throughout Australia exclusively through the building & plumbing merchants. Please contact Veitch for your nearest outlet.

Technical Data

Product	Baby Bath
Product Code	03-2402
Material	Gr304 Stainless Steel
Material Thickness	1.2mm
Material Surface Finish	Satin Finished
Type of mounting	Insert into benchtop with sink clips
Outlet Size	DN50 (50 BSP)
Flange Width	35mm
Overall Length	670mm
Overall Width	520mm
Overall Depth of Bowl	200mm
Cut out size	650 x 500mm



The information in this sheet reflects the current technical specifications at the time of publication. As part of our continuous improvement program, we reserve the right to change the technical or physical specifications without notice.



Stainless Steel Baby Bath

