

round front basin

The **Veitch Round Front Basin** is a hand washing basin ideally suited to situations where there is limited space available. Applications include public toilet facilities, factories and commercial buildings.

It is manufactured entirely from 1.2mm Grade 304 stainless steel and features a 60mm upstand to each wall side and a centred waste recess to suit a standard 40mm dia. outlet, not supplied.

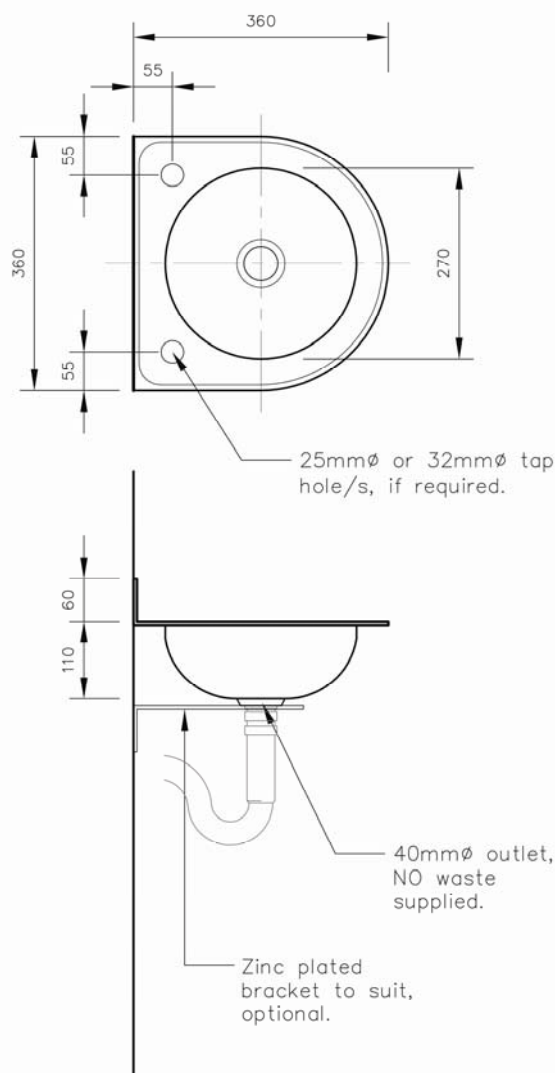
This unit is mounted to the wall with a single zinc-plated bracket, sold separately.



Side profile showing fixing to wall with zinc-plated bracket and waste outlet, supplied.



The Veitch Round Corner Basin has a 60mm upstand to the rear and can be supplied with a tap hole to either side of bowl.



Designed & manufactured in Australia.

veitch
quality stainless steel products

address: 51 Commercial Drive
Thomastown, Vic. 3074
phone: 03 9465 4131
fax: 03 9465 1478
email: enquiries@veitchstainless.com.au
web: www.veitchstainless.com.au

PRODUCT CODES:
04-1152 Round front basin
04-1183 Zinc-plated bracket

REVISION:
August 2010

**commercial
standard products**

2.2